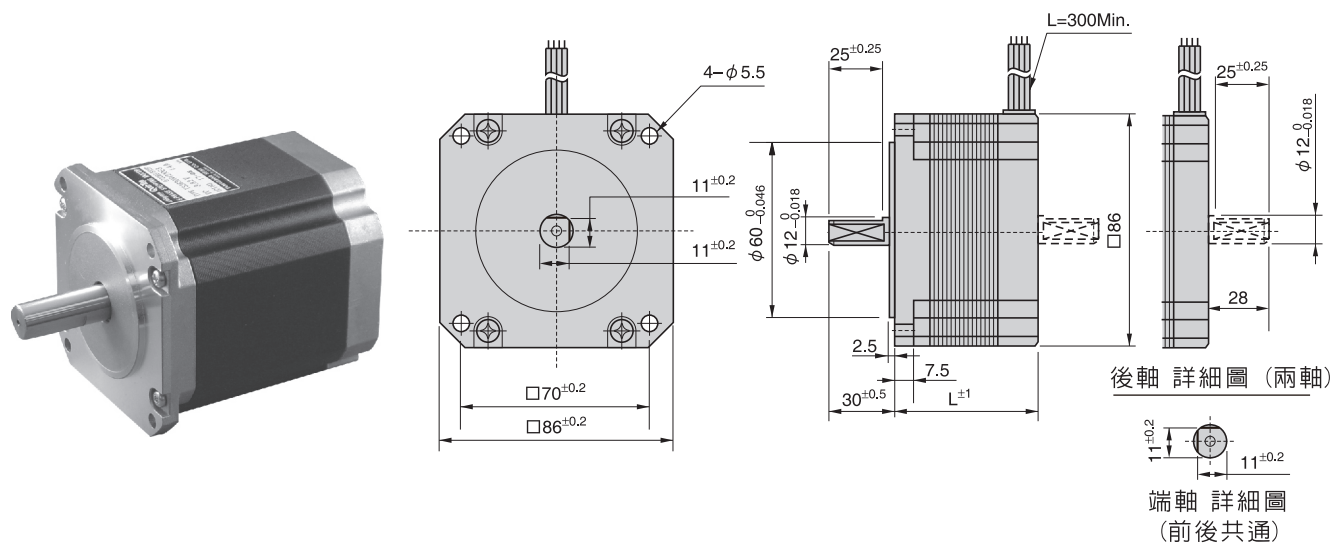


# 85 0.72° HB



| 形式<br>Type number  |                    | 額定電壓<br>Rated Voltage | 額定電流<br>Rated Current | 線圈阻抗<br>Winding Resistance | 激磁最大<br>靜止力矩<br>Holding Torque | 馬達長度L<br>Motor Length | 轉子慣量<br>Rotor Inertia | 質量<br>Mass |      |
|--------------------|--------------------|-----------------------|-----------------------|----------------------------|--------------------------------|-----------------------|-----------------------|------------|------|
| 單軸<br>Single Shaft | 兩軸<br>Double Shaft | V/Phase               | A/Phase               | Ω/Phase                    | N·m(kgf·cm)                    | mm                    | g·cm <sup>2</sup>     | g          |      |
| TS3630N1E1         | TS3630N21E1        | 2.46                  | 1.4                   | 1.76                       | 2.1(21)                        | 64.5                  | 900                   | 1800       |      |
| TS3630N1E2         | TS3630N21E2        | 2.1                   | 2.8                   | 0.57                       | 2.1(21)                        | 64.5                  | 900                   | 1800       |      |
| TS3630N2E3         | TS3630N22E3        | 3.82                  | 1.4                   | 2.73                       | 4.1(41)                        | 96.5                  | 2000                  | 3000       | (註1) |
| TS3630N2E4         | TS3630N22E4        | 1.88                  | 2.8                   | 0.67                       | 4.1(41)                        | 96.5                  | 2000                  | 3000       |      |
| TS3630N1304E9      |                    | 4.76                  | 1.4                   | 3.4                        | 6.3(63)                        | 126.5                 | 3000                  | 4000       | (註2) |
| TS3630N3E5         | TS3630N23E5        | 2.38                  | 2.8                   | 0.85                       | 6.3(63)                        | 126.5                 | 3000                  | 4000       |      |

註1:軸心  $\phi 14$  的品名為TS3630N1210E3 (單軸)

註2:軸心  $\phi 14$ mm (單軸)

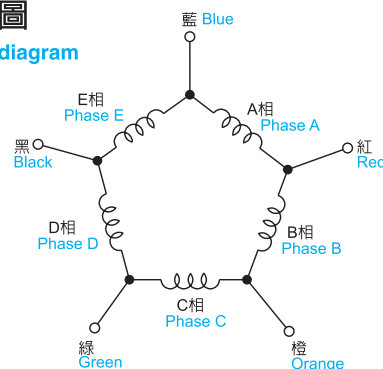
- 使用周圍溫度 ————  $-20\sim+50^{\circ}\text{C}$   
Operating temperature range
- 絕緣阻抗 ————  $100\text{M}\Omega$  Min(at DC500V)  
Insulation resistance
- 絕緣耐壓 ———— AC500V(1min)  
Dielectric strength
- 軸心平行方向移動量 —  $0.075\text{mm}$  Max.at the load 9.8N(1kgf)  
End play
- 軸心垂直方向移動量 —  $0.025\text{mm}$  Max.at the load 4.9N(0.5kgf)  
Radial play
- 容許溫度上昇 ————  $80\text{deg}$  Max(Rasistance method)  
Permissible temperature rise

※注意:馬達表面請保持在 $90^{\circ}\text{C}$ 以下

※NOTE: Do not allow the surface temperature of the motor case to rise above  $90^{\circ}\text{C}$  during operation.

## 結線圖

### Wiring diagram



## 激磁順序 Exciting sequence

